

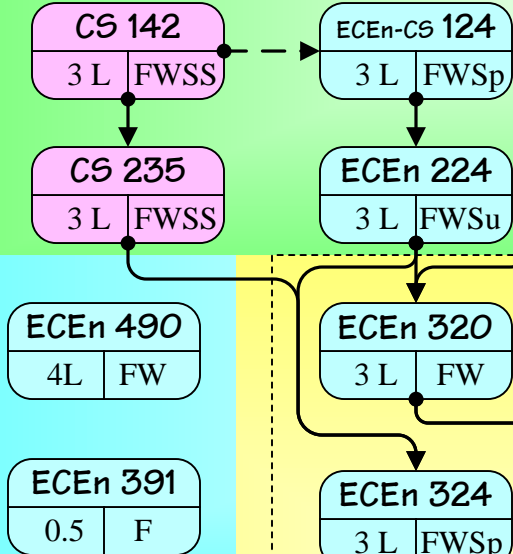
Brigham Young University Electrical Engineering Flowchart

Note: This flowchart is a graphical presentation of the requirements in the 2007-2008 catalog. Please refer to the catalog for exact requirements.

November 2, 2007

Pre-Professional

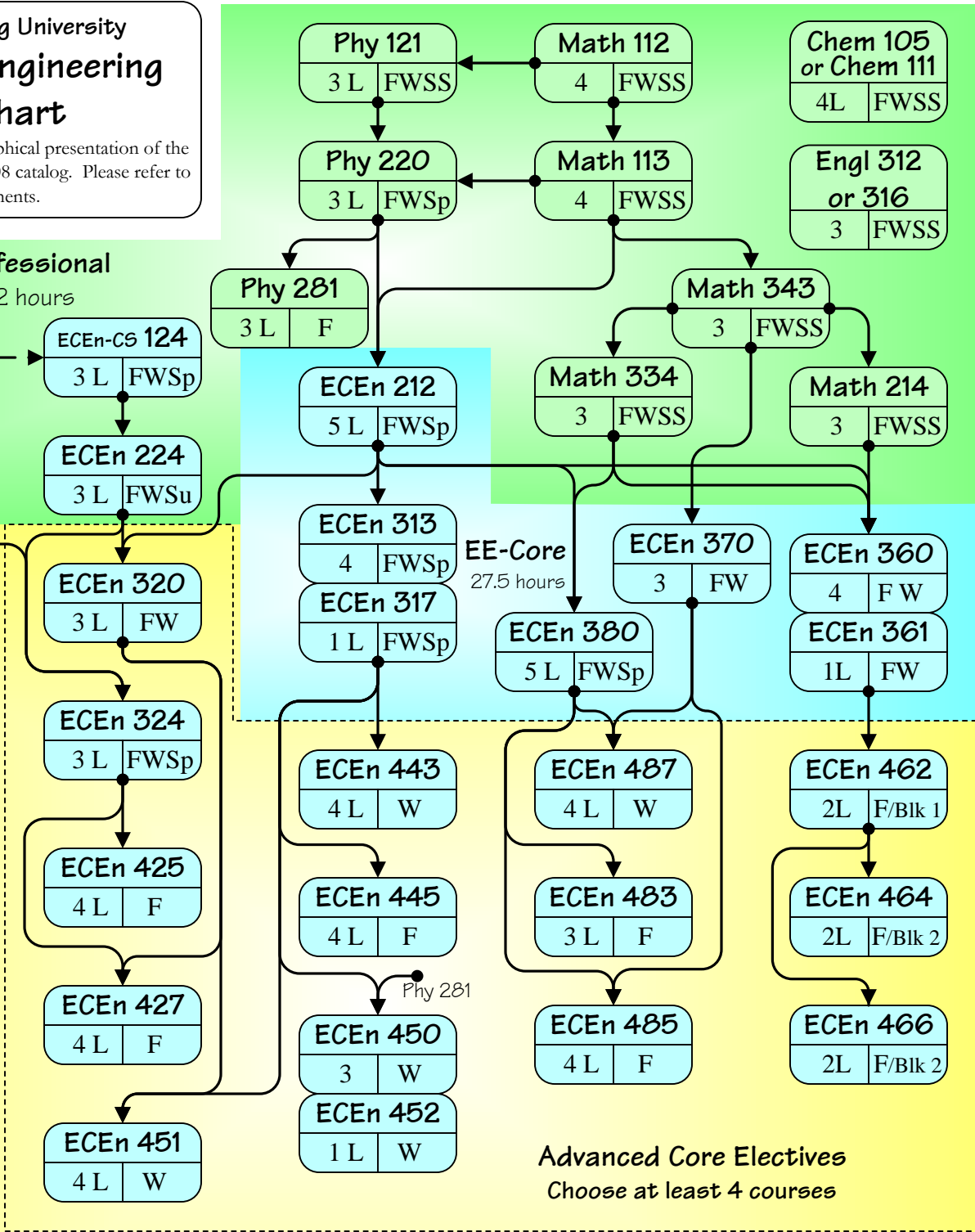
41 - 42 hours



Technical Electives

19 hours minimum

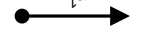
1. Any advanced core elective
2. CS 236 or 240
3. Math 315, 316, 332, 347, 350, 355, 371, 372, 387, 411, 480, or 5XX
4. Physics 222, 4XX, or 5XX, ChemE 381
5. Other courses as approved by the department.



Notes:

- ✓ ECEn 493R New Student Seminar is highly recommend for pre-professional students
- ✓ Math 112, 113, Phy 121, 220 must be completed by the end of the semester in which you apply to the professional program.
- ✓ All classes in the Pre-professional (green) and EE-core (blue) sections must be taken to graduate.
- ✓ Before taking any course, all prerequisite courses must be completed first.

Prerequisite



Corequisite

